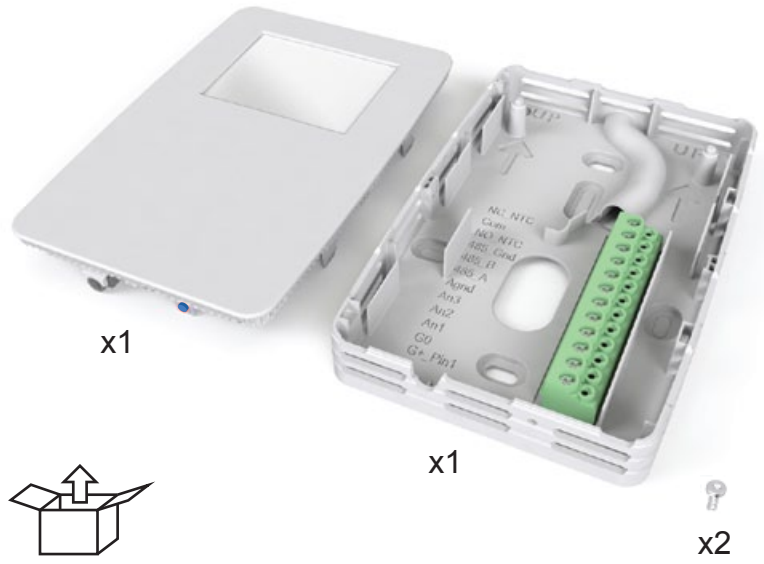
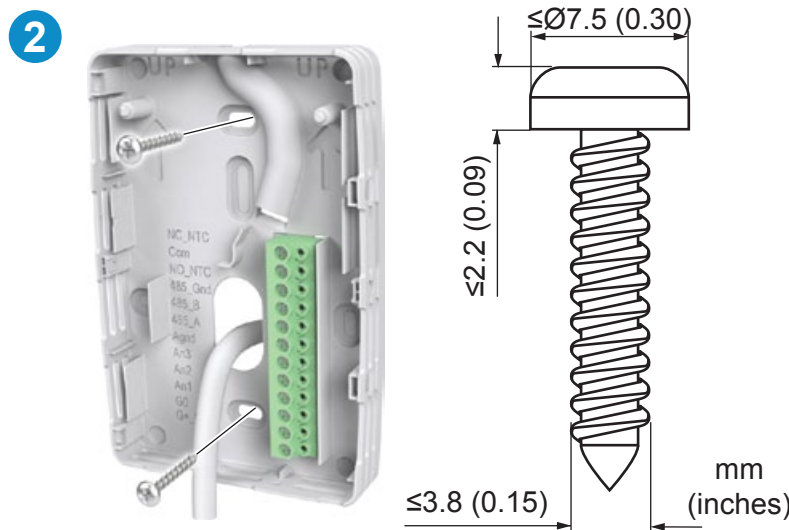
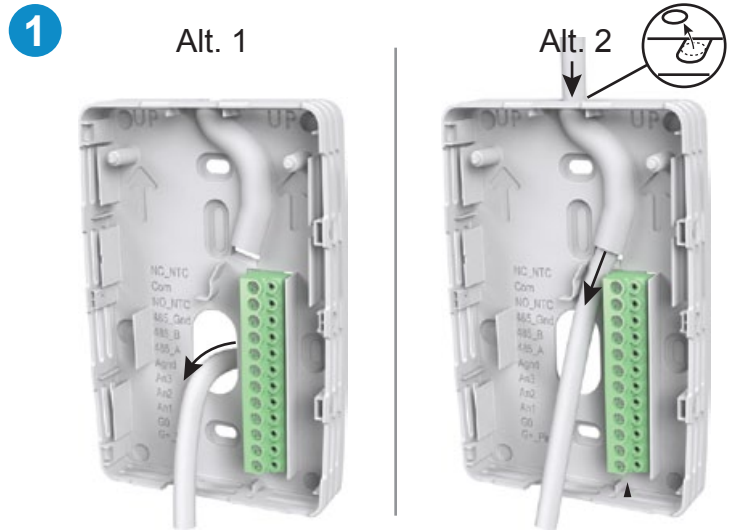
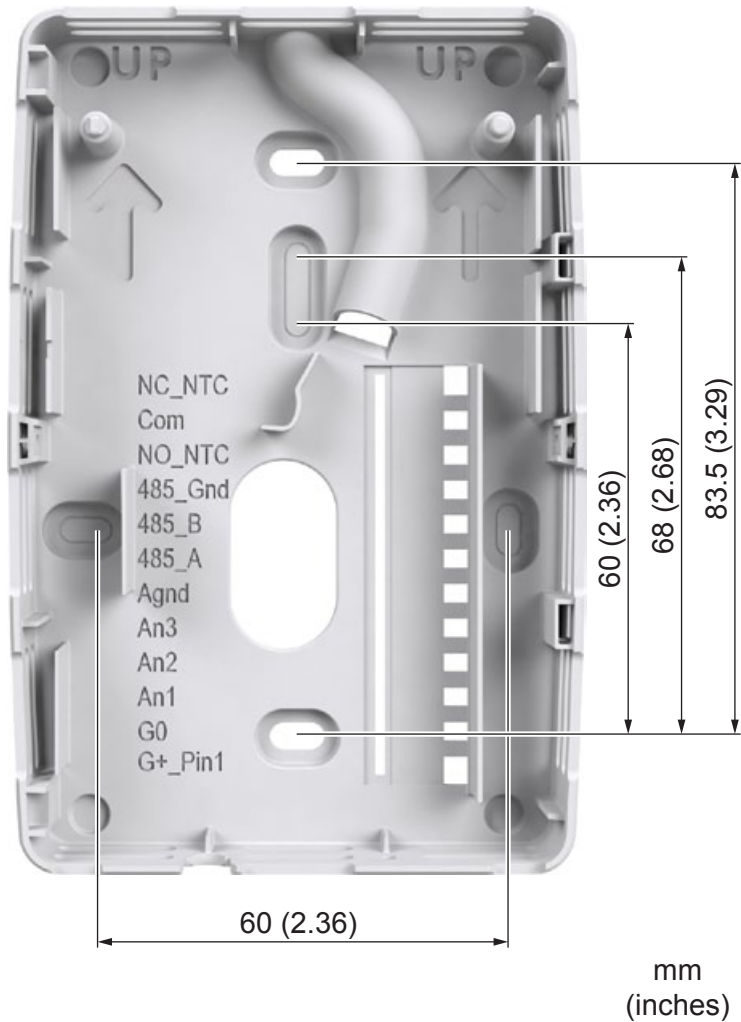
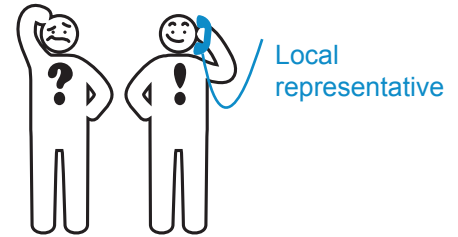


Installation Guide  
**tSENSE**

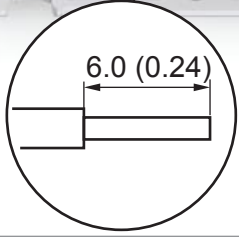
CO<sub>2</sub>, temperature- and relative humidity transmitter



**NOTE:**  
 The same ground reference has to be used for the tSENSE unit and for the control system!

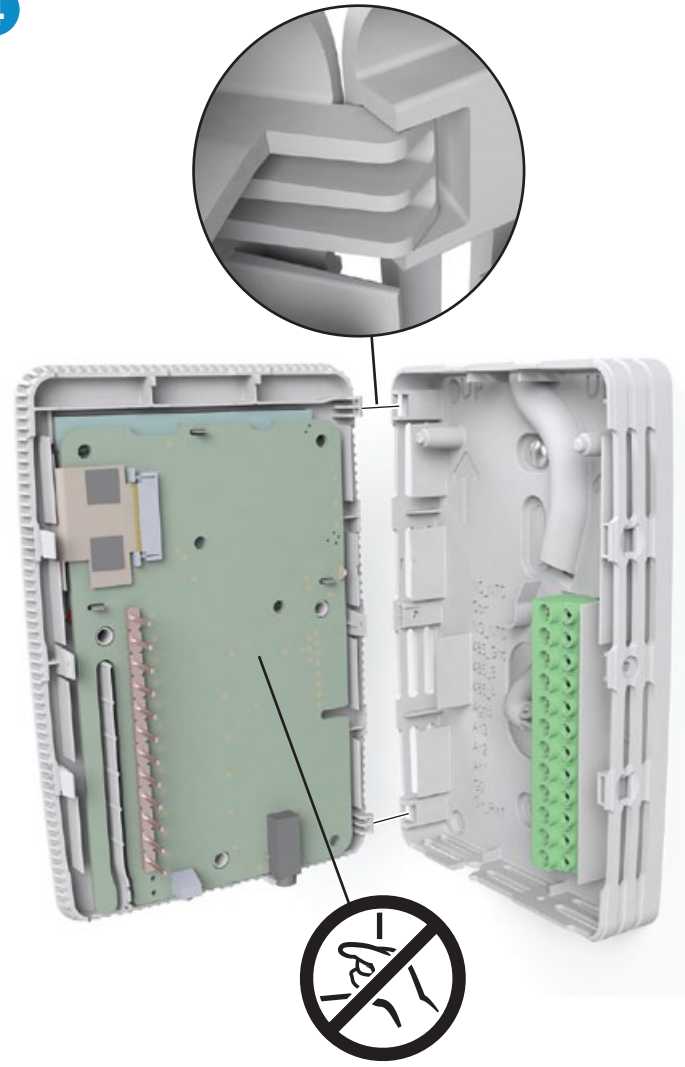


3

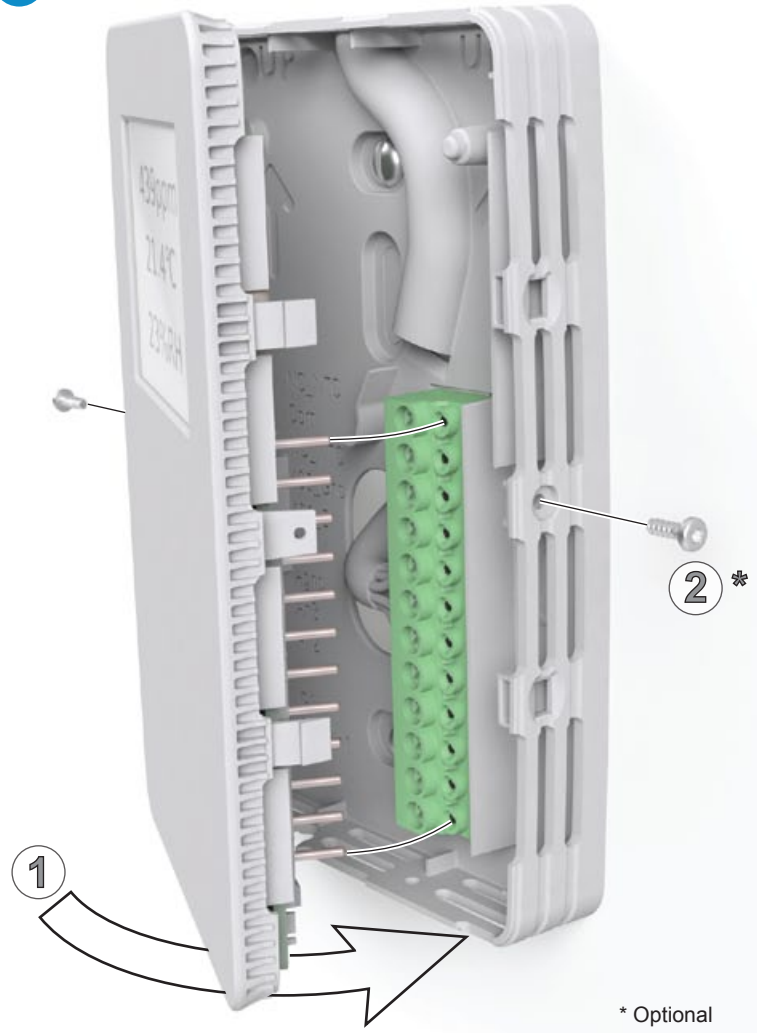


mm  
(inches)

4

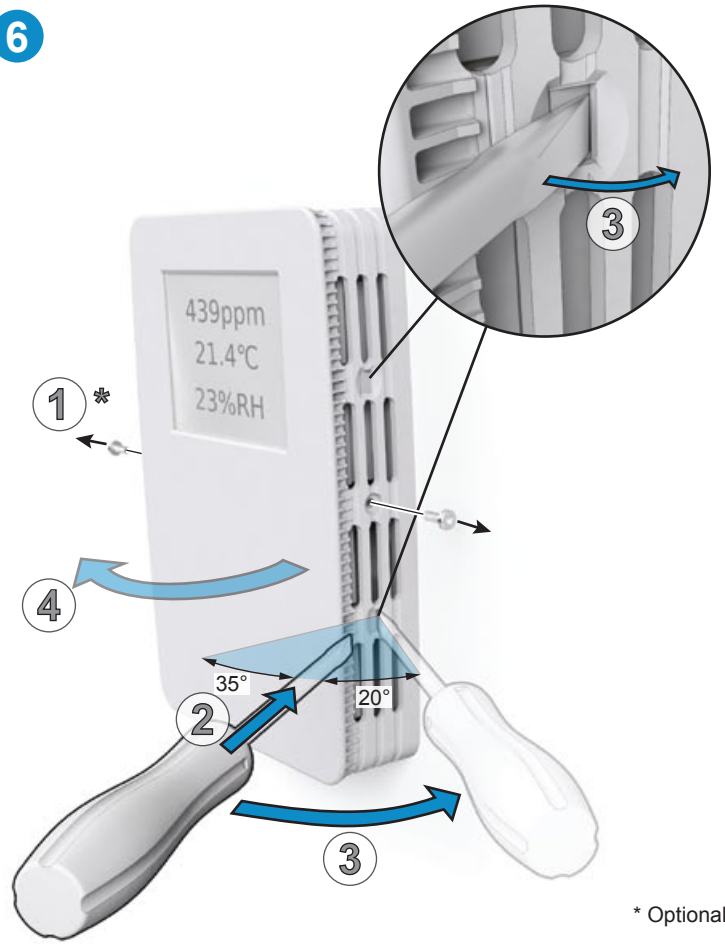


5



\* Optional

6



\* Optional

**Edaphic Scientific**  
[www.edaphic.com.au](http://www.edaphic.com.au)  
[info@edaphic.com.au](mailto:info@edaphic.com.au)