

Carbon Dioxide Monitor



Applications

- Carbon dioxide monitoring and alarm
- Schools, offices, hotels, meeting rooms
- Shops, restaurants, hospitals, theaters
- Other public places
- Apartments, houses
- All ventilation systems

Product No:G01- CO2- B3 Series

CO2 + Temperature + Humidity Monitor/Controller

- Monitoring real time carbon dioxide and temp.&RH
- Display 24-hour CO2 average and max. value is option
- 3-color backlight LCD
- Optional 1x on/off output to control a ventilator
- Modbus RS485 communication
- Three power supply available:
 - 24VAC/VDC, 100~240VAC, USB or DC power adaptor
- Wall mounting or desktop placement
- Over 100000 sales, with high-quality and perfect reputation

Features

- Real time monitoring room carbon dioxide, temperature and humidity
- Optional display 24h average and max. CO2
- NDIR CO2 sensor with Self Calibration. It makes CO2 measurements more accurate and reliable.
- Up to 15 years lifetime of CO2 sensor
- Three-color (Green/Yellow/ Red) LCD indicates CO2 three ranges and ventilation level-optimal/moderate/poor
- Buzzer alarm available
- Optional 1xrelay output to control a ventilator and Modbus RS485 communication
- Touch button for easy operation
- 24VAC/VDC or 100~240V or USB 5V power supply
- wall mounting or desktop placement available
- High quality with the excellent performance, best choice for schools and offices
- CE-approval



Applications

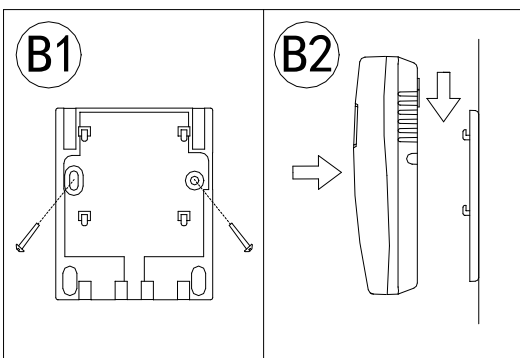
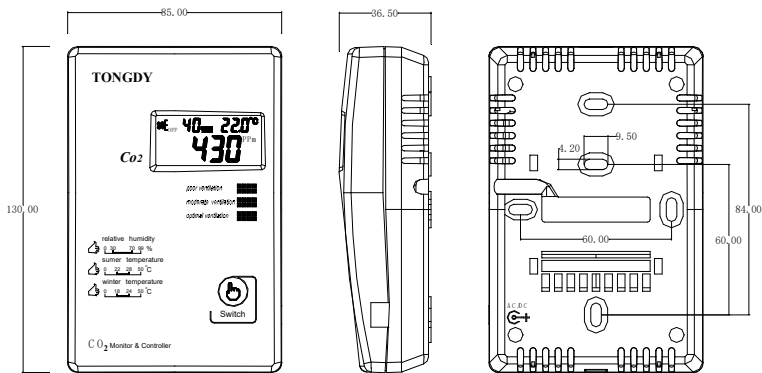
CO2 monitor is used to monitor/alarm indoor CO2 concentration as well as temperature and humidity. It's installed on the wall or on the desktop

- Schools, offices, hotels, meeting rooms
- Shops, restaurants, hospitals, theaters
- Airports, train stations, other public places
- Any other public places
- Apartments, houses
- All ventilation systems

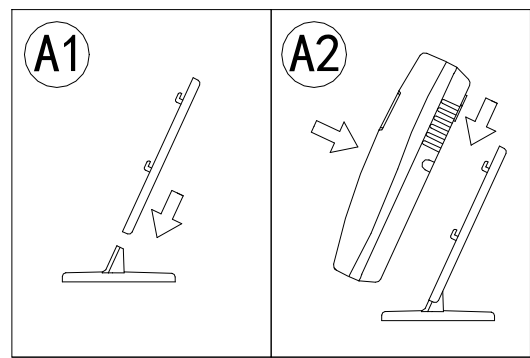
Specifications

Power supply	100~240VAC or 24VAC/VDC wire connecting USB 5V (>1A for USB adaptor) 24 V with an adaptor
Consumption	3.5 W max. ; 2.5 W avg.
Gas detected	Carbon Dioxide (CO ₂)
Sensing element	Non-Dispersive Infrared Detector (NDIR)
Accuracy@25C(77 °F)	±50ppm + 3% of reading
Stability	<2% of FS over life of sensor (15 yr typical)
Calibration interval	ABC Logic Self Calibration Algorithm
CO ₂ sensor life	15 years
Response Time	<2 minutes for 90% step change
Signal update	Every 2 seconds
Warm up time	<3 minutes (operation)
CO ₂ measuring range	0~5,000ppm
CO ₂ Display resolution	1ppm
3-color backlight for CO ₂ range	Green : < 1000ppm Yellow: 1001~ 1400ppm Red: > 1400ppm
LCD Display	Real time CO ₂ , Temp &RH Optional 24h average/max. CO ₂
Temperature measuring range	-20~60C(-4~140 °F)
Humidity measuring range	0~99% RH
Relay output (optional)	One relay output with rated switching current: 5A, resistance load
Operation conditions	-20~60C(32~ 122 °F); 0~95%RH, non condensing
Storage conditions	0~50C(14~ 140 °F), 5~70%RH
Dimensions/ Weight	130mm(H) ×85mm(W) ×36.5mm(D) / 200g
Housing and IP class	PC/ABS fireproof plastic material, protection class: IP30
Installation	Wall mounting (65mm×65mm or 2"×4"wire box) Desktop placement
Standard	CE-Approval

Mounting and Dimensions



Wall mounting with a back panel (921)



Desktop with the bracket (922)

Wiring Diagram

